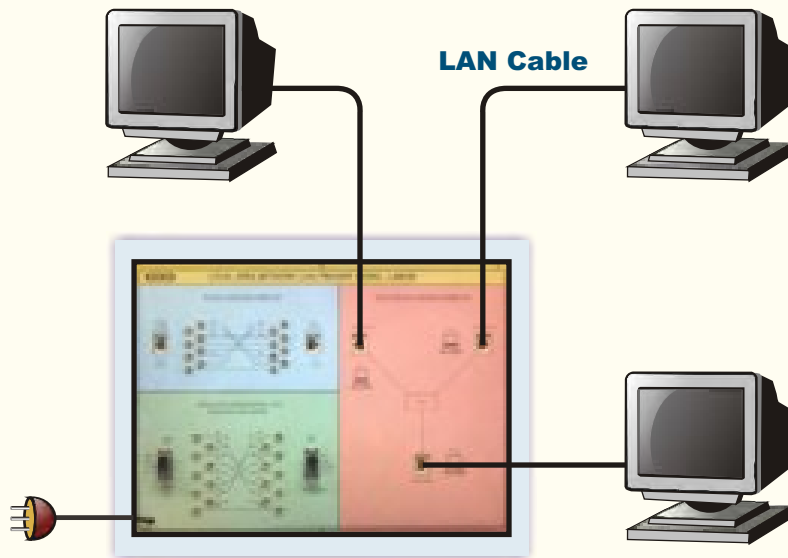




SWITCH TRAINER

MODEL - SWITCH100

This trainer has been designed with a view to provide practical and experimental knowledge of SWITCH on a SINGLE P.C.B



FEATURES

1. Study of SWITCH circuit used for Computer.
2. Tracing of the circuit and identification of different components.
3. Measurement of test point voltages.
4. Observation of test point Waveforms.
5. A detailed manual containing different practical is provided along with the board.

SPECIFICATIONS

- | | | |
|-------------------------|---|--|
| 1. Type | : | 10MBPS - SWITCH |
| 2. Supply | : | 12V AC Adapter |
| 3. Interface | : | Eight 10/100 mbps UTP Ports (RJ-45) |
| 4. LED Indicators | | |
| 5. Standard Accessories | : | 1. Trainer P.C.B.
2. A Manual having practical. |

In keeping view of SIGMA policy of continuous development and improvement, the Specifications may be changed without prior notice or obligation.

Sigma Trainers and Kits
E-113, Jai Ambe Nagar,
Near Udgam School,
Thaltej,
AHMEDABAD - 380054.
INDIA.

Phone(O): +91-79-26852427/ 26850829
Phone(F): +91-79-26767512/ 26767648
Fax : +91-79-26840290/ 26840290
Mobile : +91-9824001168
Email : sales@sigmatrainers.com
: sigmatrainers@sify.com
Web : www.sigmatrainers.com

Dealer:-